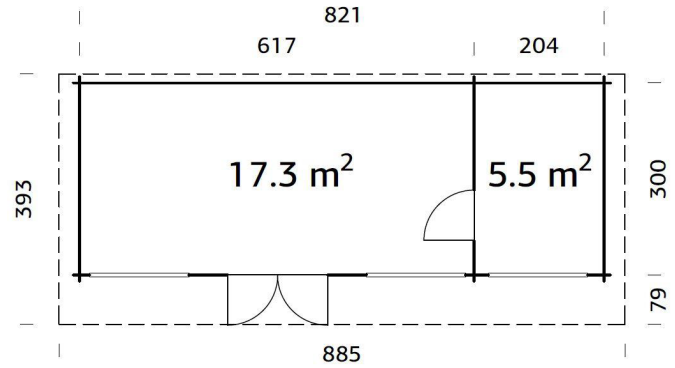


# Idaho 1



## FULL SPECIFICATION

	Wall Thickness	70mm		Roof Board	19mm
	Wall Measurements	820 x 300cm		Floor Boards	28mm
	Wall Height	236cm		Type Door/Window	Summer
	Total Height	270cm		Toughened Glass	
	Area	22.8m <sup>2</sup>		Door, Opening Measurements	73 x 195cm 148 x 203cm
	Volume	59.2m <sup>3</sup>		Pack Size	1.7 x 0.9 x 2.2m 8.8 x 1.2 x 0.6m 6 x 1.2 x 0.7m
	Roof Overhang	79cm		Pack Weight	500kg 1400kg 1200kg
	Roof Area / Roof Gradient	34.6m <sup>2</sup> / 9°			

**FLEXIBLE FINANCE OPTIONS AVAILABLE**

