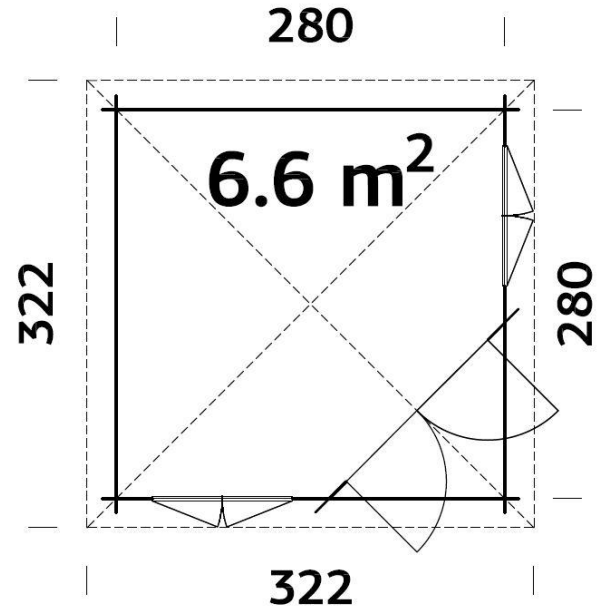


Kentucky 4



FULL SPECIFICATION

	Wall Thickness	44mm		Roof Board	19mm
	Wall Measurements	280 x 280cm		Floor Boards	19mm
	Wall Height	222cm		Type Door/Window	Garden
	Total Height	302cm		Double Real Glass 3-6-3	
	Area	6.6m ²		Door, Opening Measurements	114 x 186cm
	Volume	16.3m ³		Window, Opening Measurements	90 x 123cm
	Roof Overhang	21cm		Pack Size	3.2 x 1.2 x 0.8m
	Roof Area / Roof Gradient	8.4m ² / 25°		Pack Weight	825kg

FLEXIBLE FINANCE OPTIONS AVAILABLE

